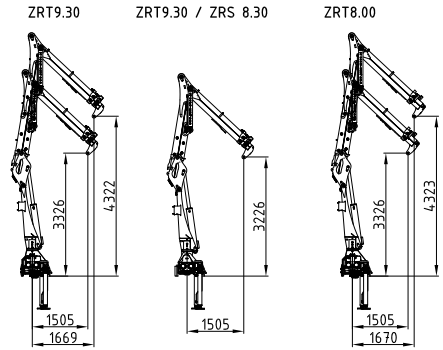
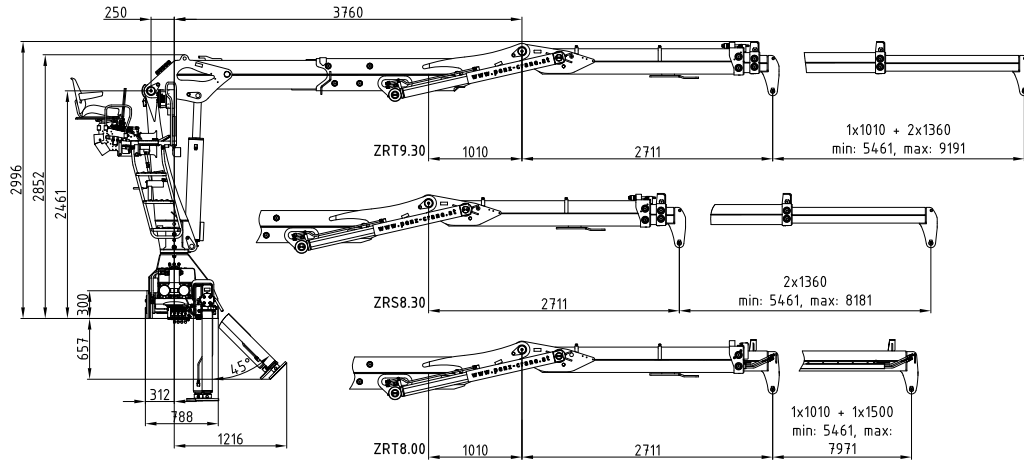
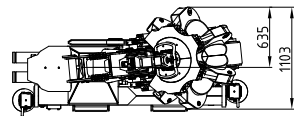
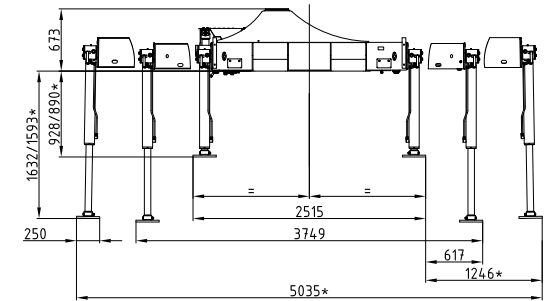


# 12ZRS 12ZRT

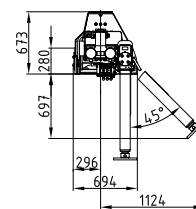
102 kNm	8,0 - 9,3 m	3,3 - 4,3 m	3,8 - 5 m	2.660 kg	420°	25 kNm	255 bar	Minimum 100 l/min ~ 50 kW	Minimum 65 l/min ~ 61 kW	Minimum 150 l/min ~ 71 kW



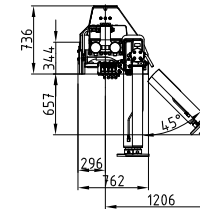
Kransockel 12ZRT/S  
Crane base 12ZRT/S



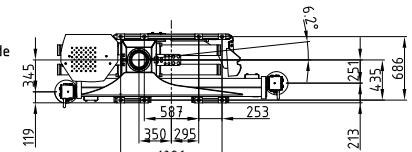
12ZRT/S Kransockel 3800mm  
12ZRT/S crane base 3800mm



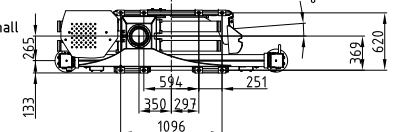
12ZRT/S Kransockel 5000mm  
12ZRT/S crane base 5000mm



breit / wide  
5000mm



schmal / small  
3800mm

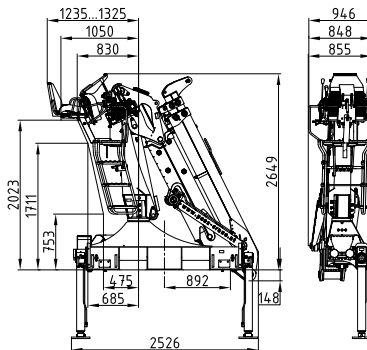


	4m	5m	6m	7m	8m	9m	
12ZRT9.30	2560	2040	1680	1420	1240	1090	(kg)
12ZRT8.00	2700	2150	1790	1530	1240		(kg)

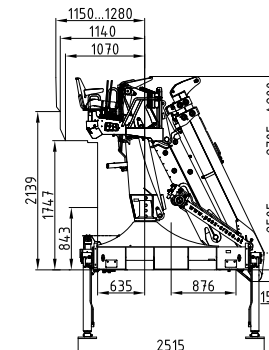
  

	4m	5m	6m	7m	8m	
12ZRS8.30	2700	2150	1790	1530	1240	(kg)

Rücksitz 01  
Back seat 01



Seitensitz 04  
Side seat 04



Rücksitz 04  
Back seat 04

